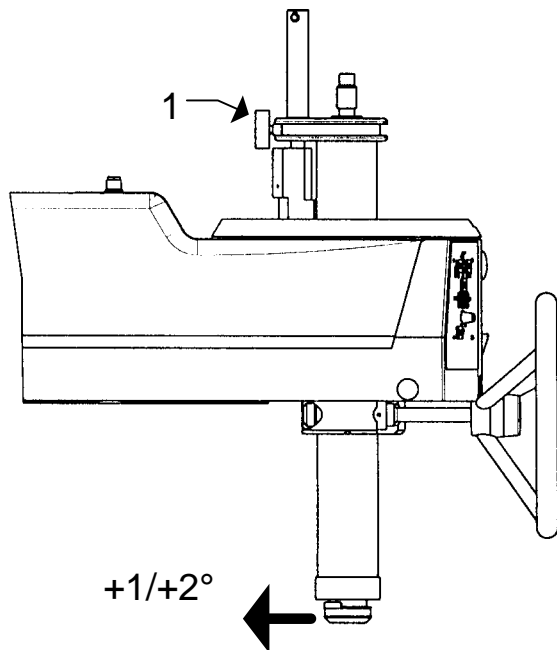


29 April 98

PRODUCT: MILLENIUM 3.0

SUBJECT: BALANCING OF THE SPINDLE

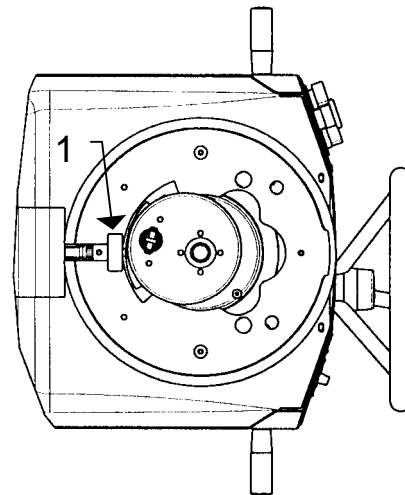


The MILLENIUM 3.0 with serial numbers between **294** and **375** (machines with moulded polyester covers) show a slight tilt of the spindle when the sphere is floated: between 1 and 2 degrees in respect of the vertical towards the inside of the machine.

This may affect the centering when using pilots of small diameter.

SERDI supplies free of charge, on request, an additional counterweight (rep. **1**) that compensates this defect. It must be screwed into the groove of the upper box of the spindle, flushing with the centerline of the workhead.

Part number of the counterweight: **016376**.



From serial number **376**, this counterweight is mounted on the machine.