

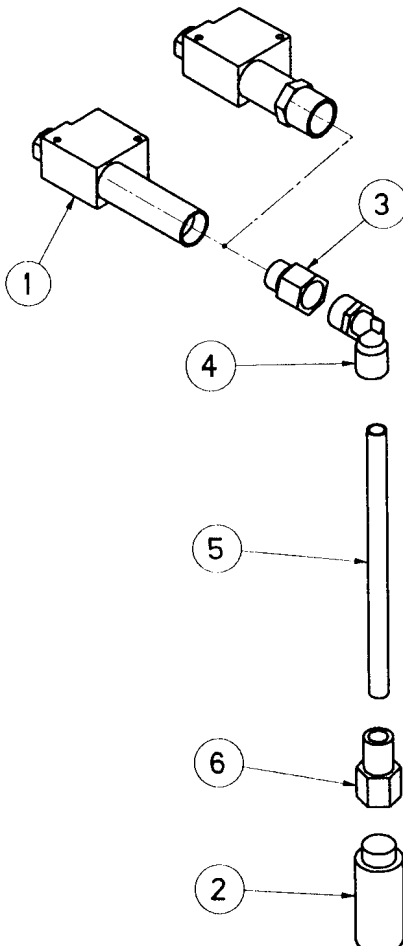
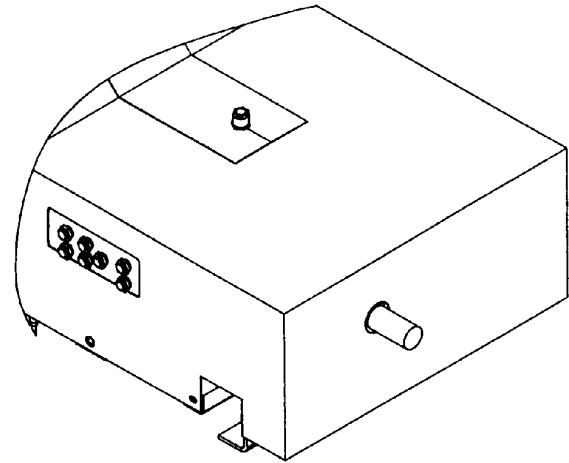
PRODUIT: MILLENIUM 3.0  
PRODUCT:

OBJET: DIMINUTION DU BRUIT DU  
GENERATEUR DE VIDE  
SUBJECT: LOWER NOISE LEVEL

The noise of the vacuum generator located at the rear of the head of the SERDI MILLENIUM 3.0 can be significantly reduced by displacing the filter.

This very simple modification is achieved by the following kit:

- ✂ one 1/2 " male/female lengthener,
- ✂ one 1/2 " male angle,
- ✂ one pipe, diameter 10x12 mm , length 2 meters,
- ✂ one 1/2 " female fitting.



#### OPERATING INSTRUCTIONS

Remove filter ✂ from vacuum generator ✂.  
Screw lengthener ✂ and male angle ✂ on vacuum generator ✂.  
Screw female fitting ✂ onto filter ✂.  
Connect pipe ✂ to male angle ✂ on one end and to female fitting ✂ on the other end.

The maximum length of the pipe must be 2 meters : if the pipe is too long, the air flow and by the way the plate clamping would be too weak.

The filter can be fixed on the rear of the bed of the machine, or inside one cavity of the bed.

Kit reference: **012541**.