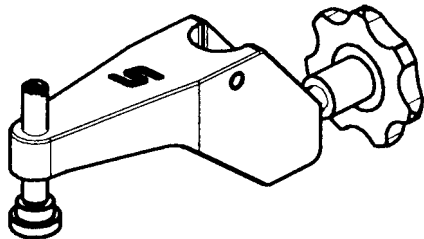
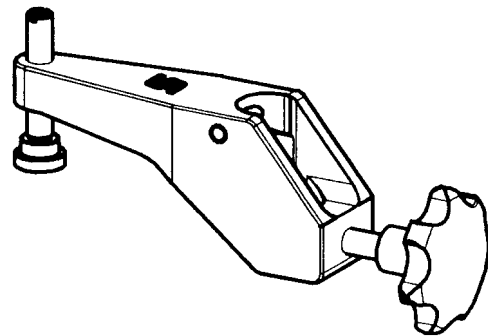


PRODUIT: S60/80/100, M3.0, M3.1
PRODUCT:

OBJET: NOUVELLE BRIDE S
SUBJECT: NEW « S » CLAMP

The new « **S** » universal clamp now replaces the « **G** » clamp previously supplied.

This new clamp has a longer arm which eliminates the need for clamp extensions ref. **010248** on some specific applications.



The « **S** » clamp is now made of steel as opposed to the previous cast iron design, which will offer better rigidity and longevity.

The yellowish color comes from the zinc chromate plating and allows easy distinction from the former design.

The new universal clamp will be supplied with all machines as of **JUNE 1997**.

Reference of the complete clamp: **011915**.