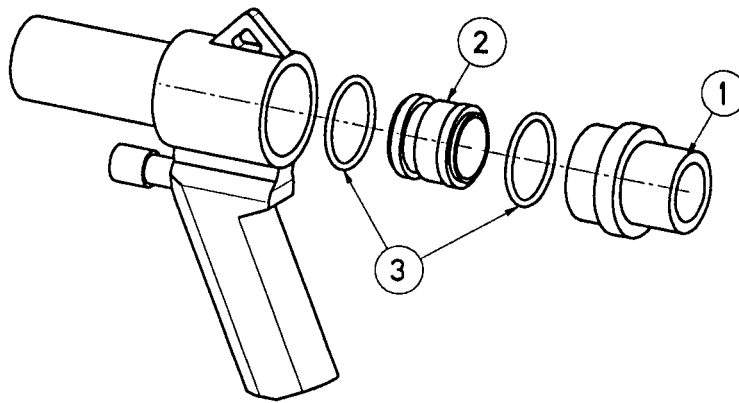


PRODUCT: SEAT MACHINES

SUBJECT: VACUUM CLEANER



The vacuum cleaner supplied with the SERDI 100 et M3.1, and proposed as an option with M3.0, can also be used as a blow gun. The part marked **2** on the drawing above should simply be inverted to get this mode of functioning.

SERDI prohibits the use of blow guns on the machines, in order to preserve the surface finish of the slideways, as well as internal parts of the workhead, particularly the sphere.

This unit must be used **only** as a vacuum cleaner, the central part **2** being orientated according to the drawing on the body of the unit: VACUUM position.

To have access to this part, simply unscrew the rear part **1** and check before reassembling that both O-rings **3** are at the right place.

The first vacuum cleaners delivered with the machines were by mistake mounted as blow-guns (machines delivered between October 97 and February 98).